



# Installation Guide

Digilock®

Keypad & RFID  
Shared & Assigned Use  
Cam Lock



**Before Lock Installation** ..... 3

**Lock Installation** ..... 4

    For door thickness measuring between .03" - .113" (.8mm - 28.6mm) ..... 4

    Required Components..... 4

    Installation..... 5

**Door Preparation** ..... 8

    Strike Plate Installation..... 8

        Required Components..... 8

        Installation..... 8

    Mortise Instructions and Template ..... 9

        Mortise Instructions..... 9

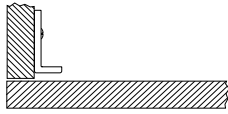
        Mortise Template for Cam Locks..... 10

# Before Lock Installation

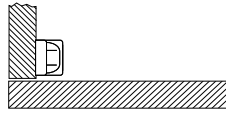
The door must be prepared for lock installation.

## Strike Plate

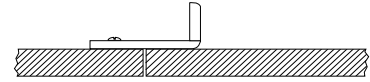
1. A strike plate must be installed.



Angled Strike Plate



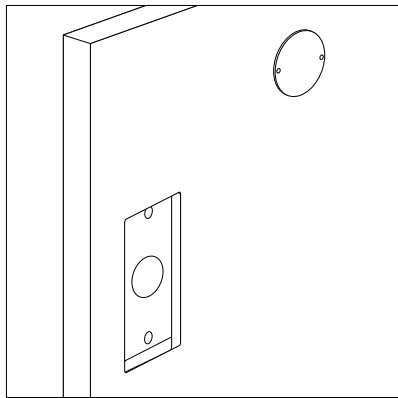
Security Strike Plate



Double Door Strike Plate

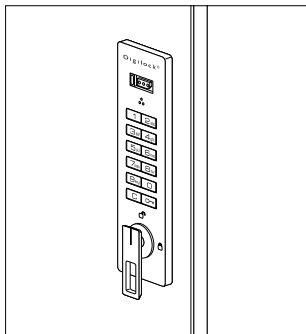
## Door Mounting Holes

2. The door must be mortised.



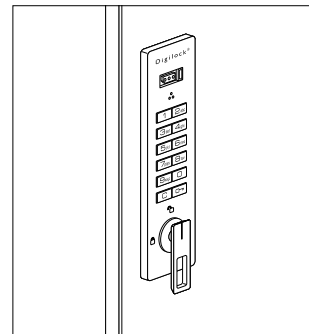
## Routed Door with Door Mounting Holes

3. Determine if door is left handed or right handed.



For Standard Body

If the door edge is on the right, the door is left handed.



For Horizontal Body

If the door edge is on the left hand side, the door is right handed.

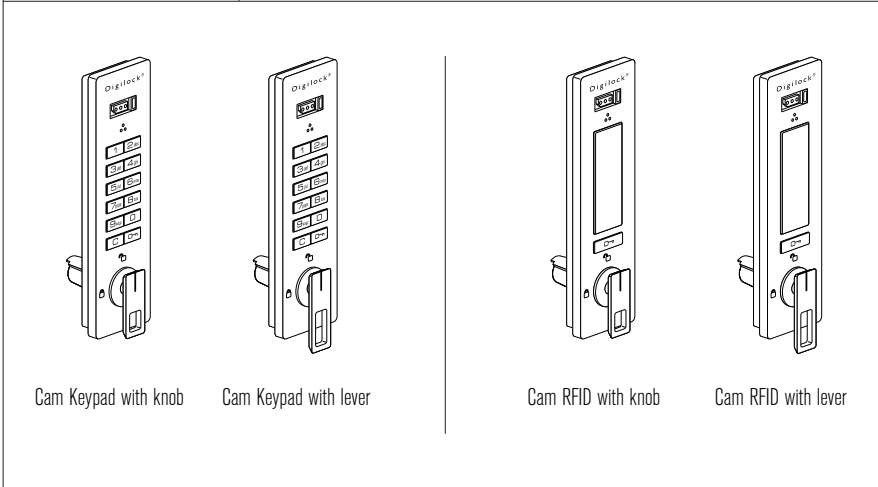
Refer to Door Preparation section for instructions and templates.

# Lock Installation

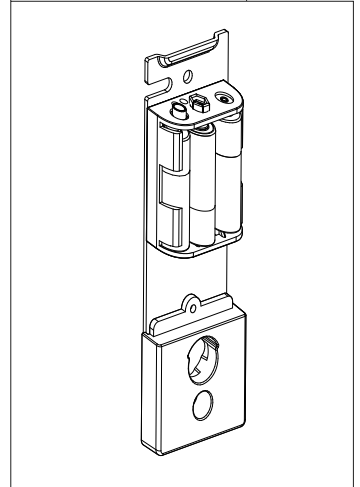
For door thickness measuring between .03" – 1.13" (.8mm – 28.6mm)

## Required Components

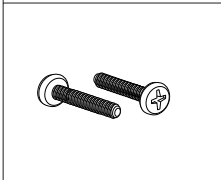
1 - Front Unit



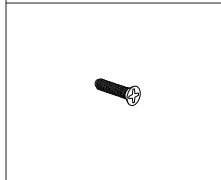
1 - Rear Unit



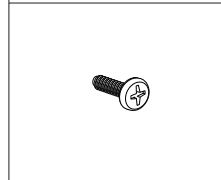
2 - Mounting Screws



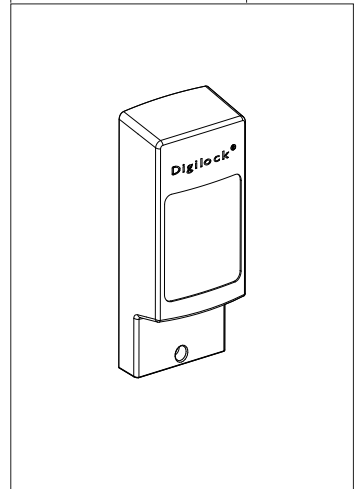
1 - Center Mounting Screw



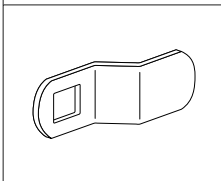
1 - Cam Screw



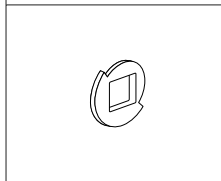
1 - Rear Cover



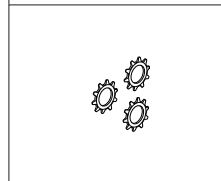
2 - Cam



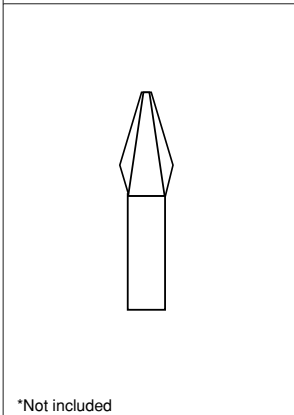
1 - Cam Stop



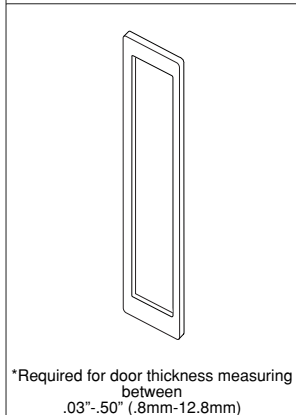
3 - Lock Washers



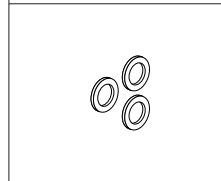
1\* - Phillips Head Screwdriver (#2)



1\* - Spacer

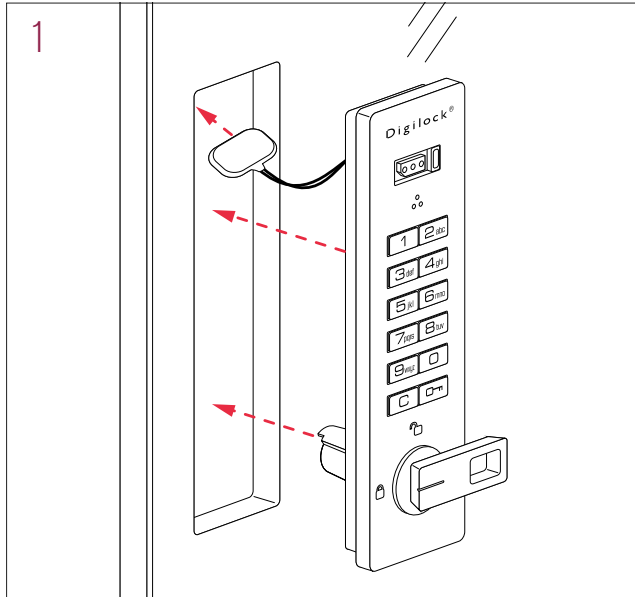


3 - Flat Washers

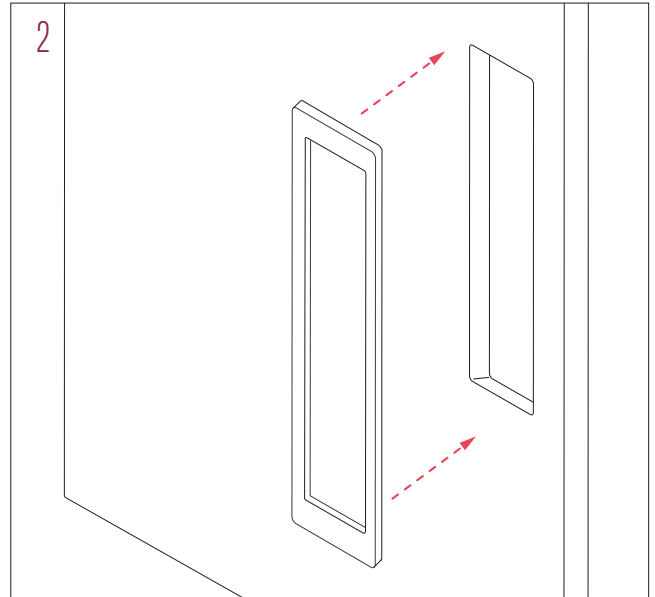


# Installation

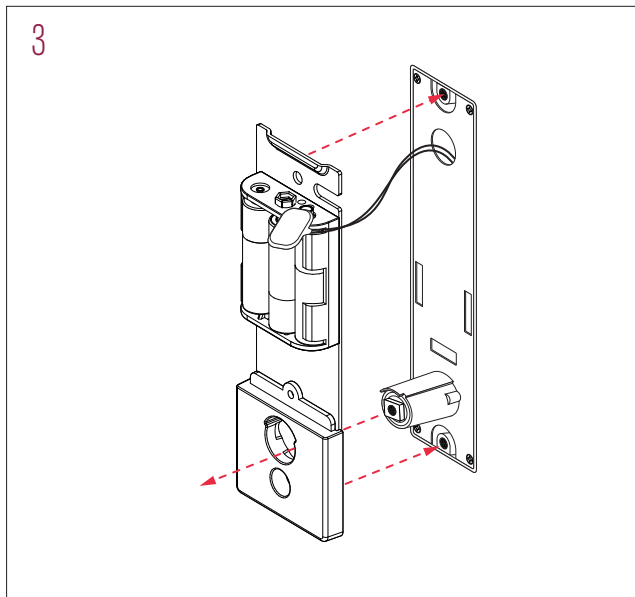
For illustration, a keypad cam lock with a knob is used.



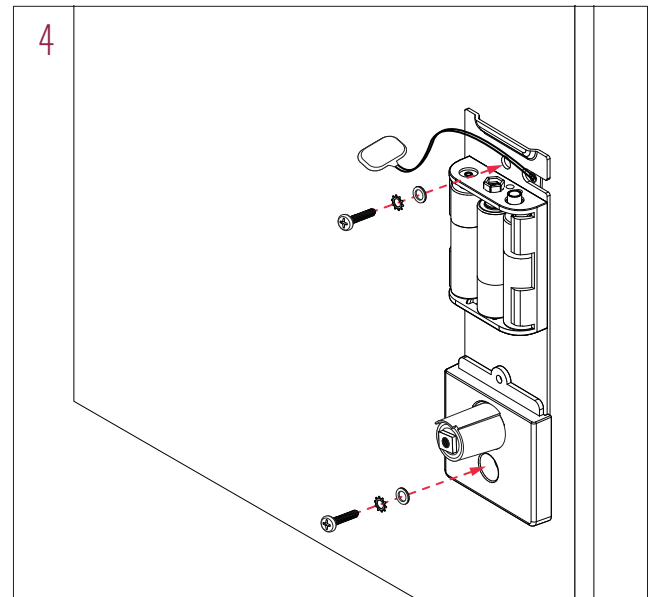
Place the front unit into the mortised opening.



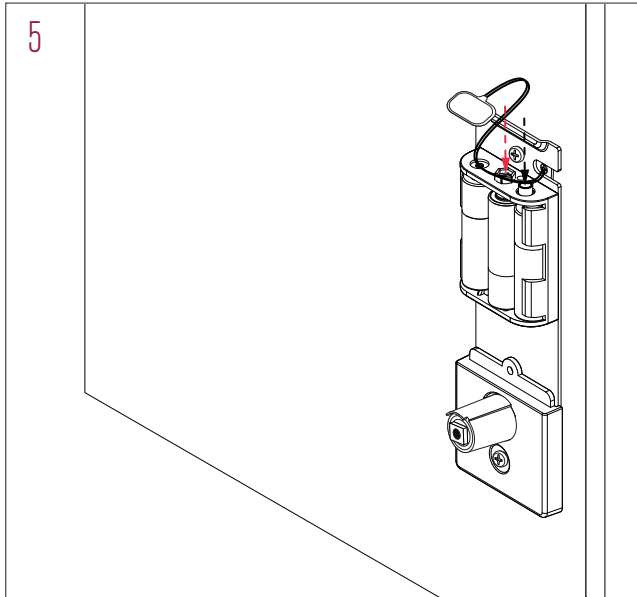
Hold the front unit against the front of the door. Place the spacer on the back of the front unit.



Bring the front and rear units together. Make sure to slide the battery snap cable through the cable groove.

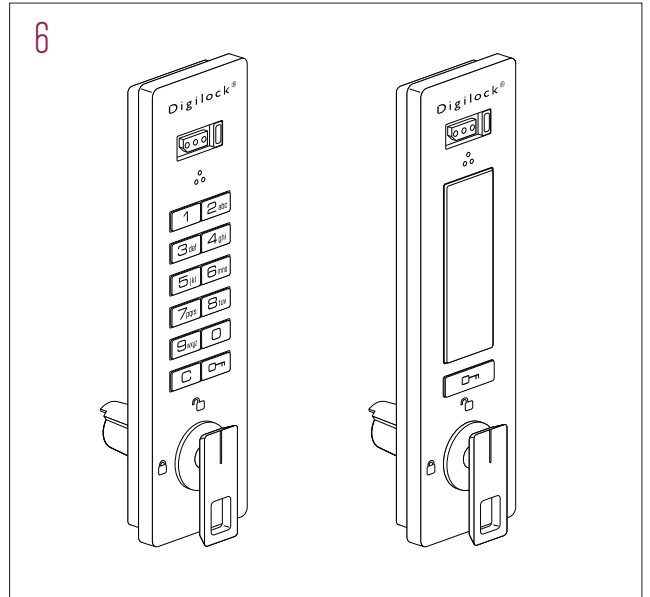


Place a flat washer followed by a lock washer on each of the mounting screws. Insert a mounting screw in each mounting hole (top and bottom) and tighten using the phillips head screwdriver.



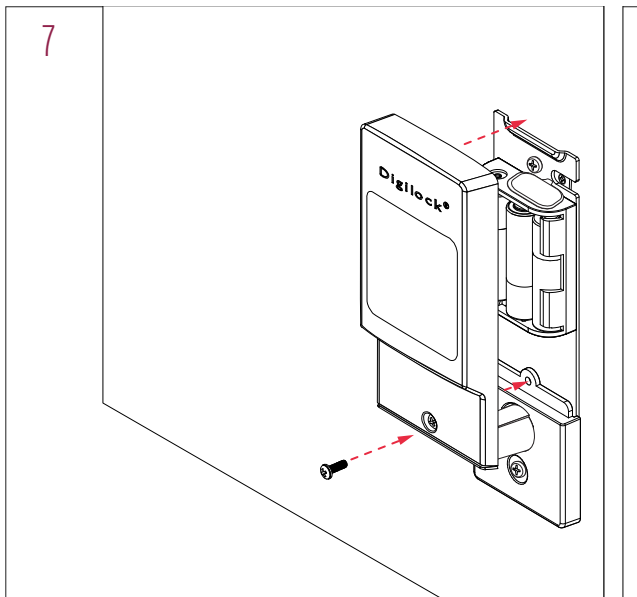
Connect the battery cable to the battery pack.

If properly connected, a triple beep will be heard and the LED will flash once.

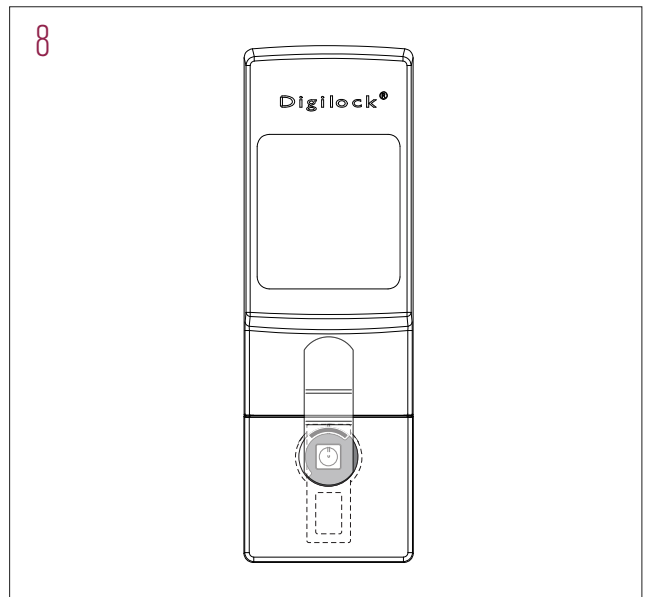


On keypad cam locks: Press then turn the knob to the unlocked position.

On RFID cam locks: Press then turn the knob to the unlocked position.

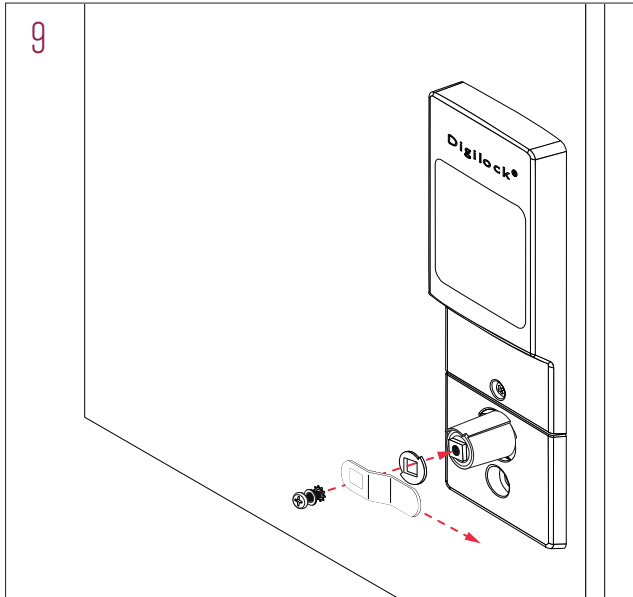


Hook the top of the rear cover to the top of the rear unit, then slide down the rear cover to align the rear cover mounting hole with the center mounting hole of the rear unit.



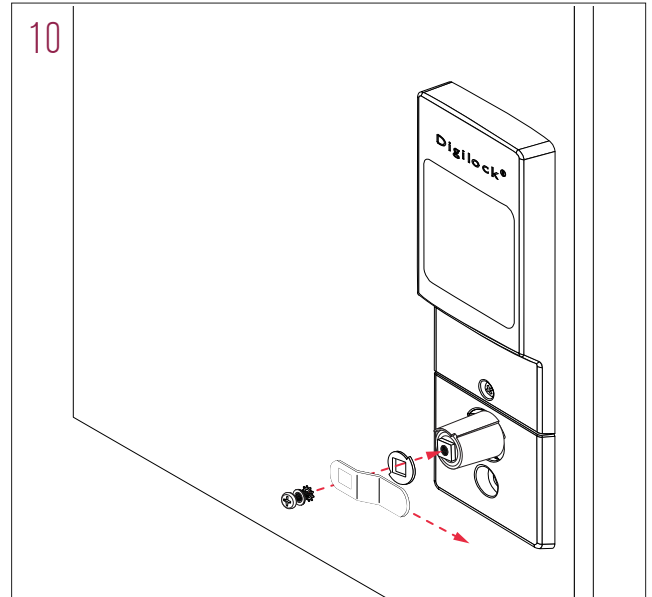
With the knob in the unlocked position, place the cam stop followed by the cam on to the lock cylinder.

Make sure that the cam stop is properly positioned.

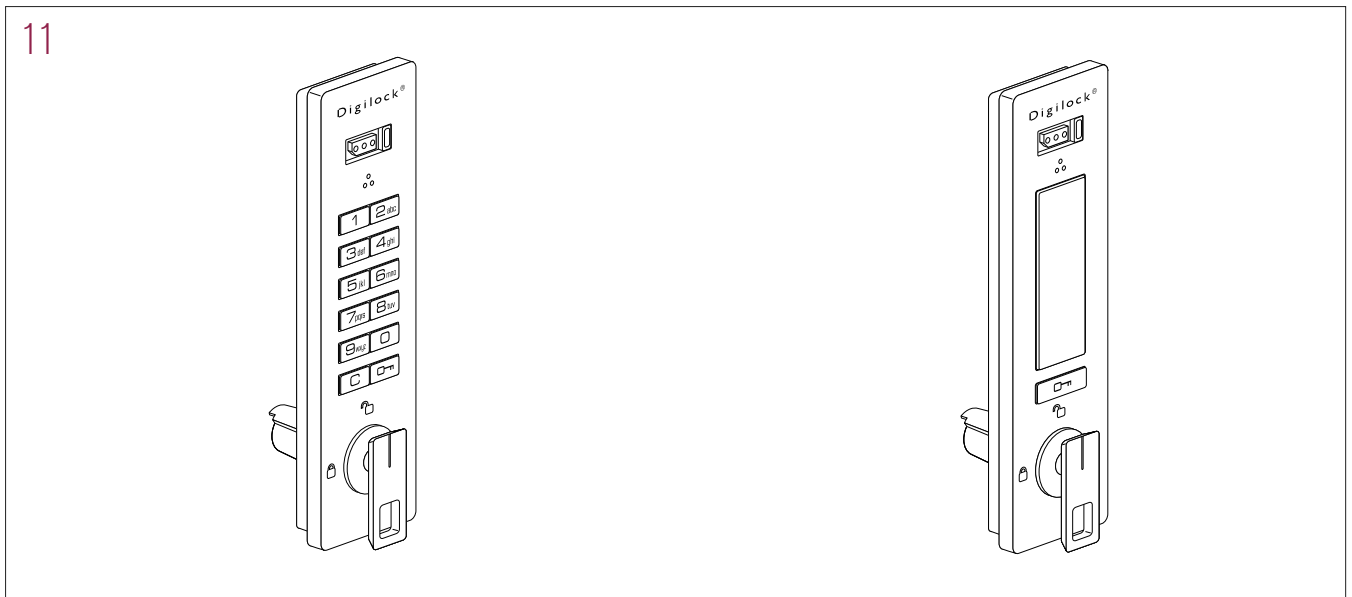


The position of the cam depends on whether the door is left or right handed.

Make sure that the cam is properly positioned for a left or right handed door.



Place a flat washer followed by a lock washer on the cam screw. Insert the cam screw through the lock cylinder and tighten using the phillips head screwdriver.



To test keypad cam locks:  
Press **[C]** **[\*]** then turn the knob to operate the lock.

To test RFID cam locks:  
Press **[\*]** then turn the knob to operate the lock.

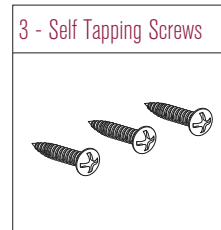
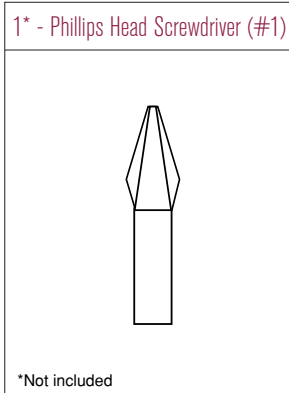
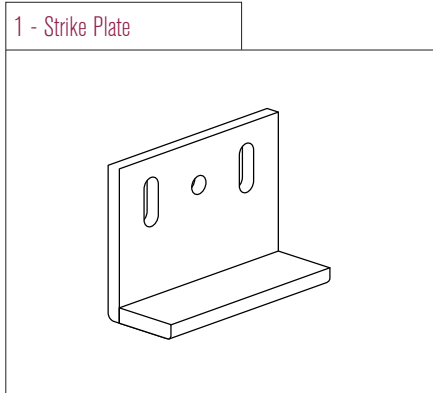
Test the locks while the door is open. If locks do not operate, remove and reinstall.

Close the door and test again. Make sure that the cam is able to operate without obstruction. Adjust the alignment of the strike plate and/or the door if necessary.

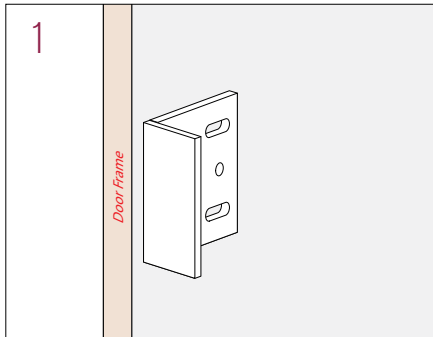
# Door Preparation

## Strike Plate Installation

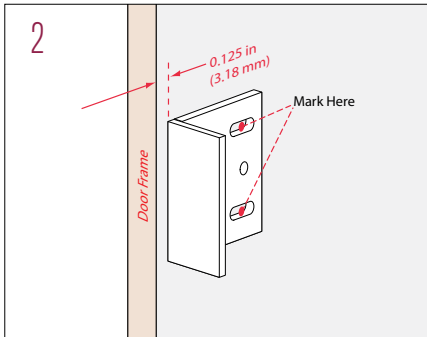
### Required Components



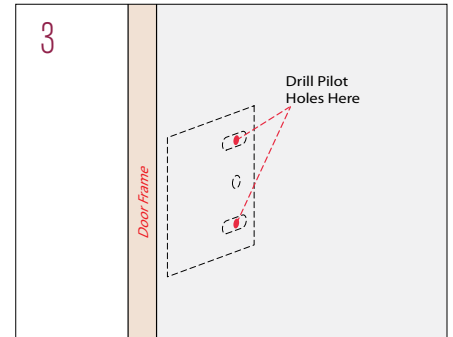
### Installation



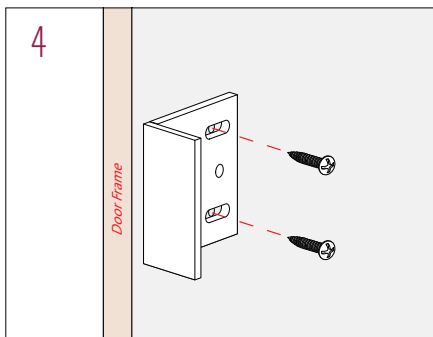
Position the strike plate on the door frame centering it with the center of the desired location of the door mounting holes.



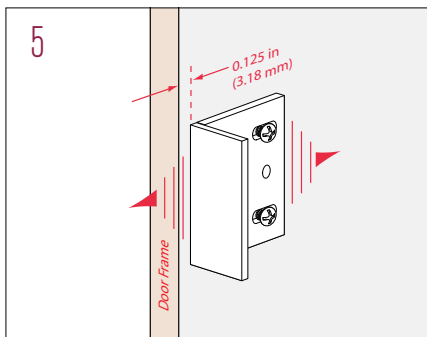
Allow .125" (3.18mm) from door edge and mark the position of the adjustment slot holes.



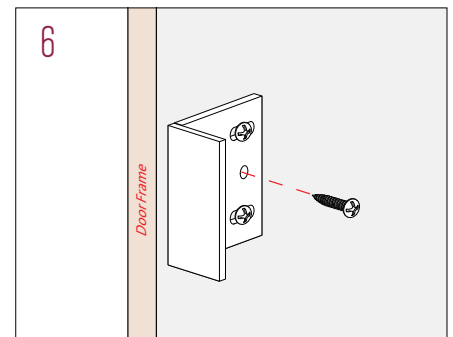
Drill 0.25" (6.35mm) pilot holes using a 1/6" drill bit.



Position the strike plate and the self tapping screws into the adjustment slot holes. Do not tighten the screws.



Adjust the strike plate to the proper position (.125" (3.18mm) from door edge) then tighten the self tapping screws.



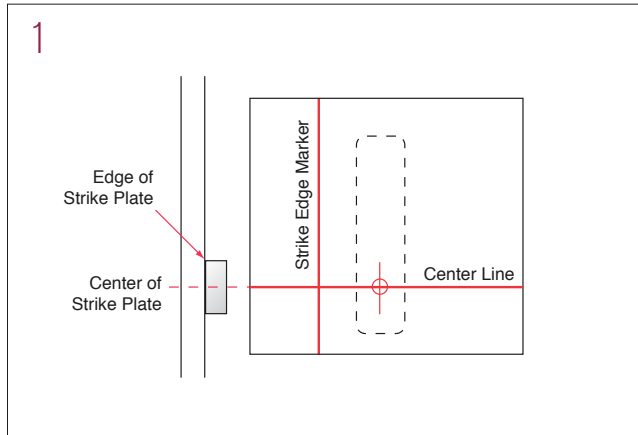
Place and tighten the remaining self tapping screw into the center hole.



# Door Mounting Holes Drill Instructions and Templates

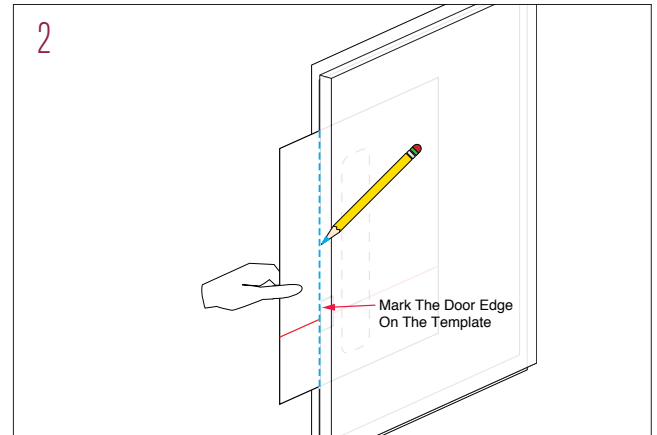
## Drill Instructions

For illustration, the mounting holes template for standard & vertical body locks is used.

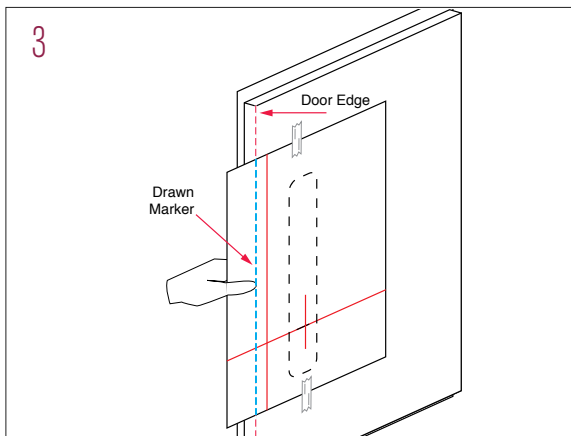


Align the center line of the template with the center of the installed strike plate.

Hold the template in place and close the door.



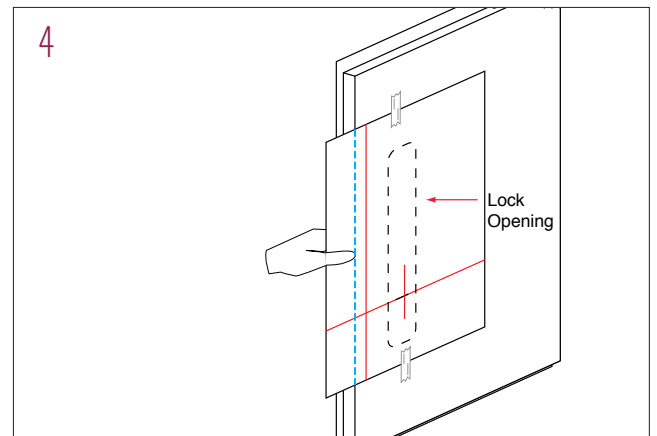
Mark the edge of the door on the template. Mark the center line of the template on the edge of the door.



Place the template on the front of the door.

Align the edge of the door with the mark on the template, and then align the center line of the template with the mark on the door.

Secure the template with removable tape.



Mortise the door according to the measurements shown on the template.

# Mortise Template for Cam Locks

Templates may not print to scale. Check all measurements before proceeding.  
Before printing, turn off auto scaling in printer setup and print at 100%.

